



NORMBAU

PASSION FOR CARE

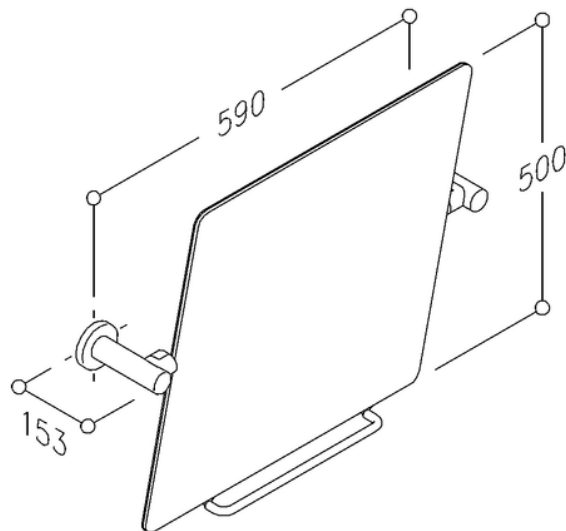
Adjustable mirror, 590 x 500 mm

590 x 500mm, Ø 32mm side mirror brackets and operating handle made of stainless steel, material No. 1.4401 (A4, AISI 316), scratch-resistant powder coating with antibacterial protection. with adjustable part available in Cavere® colours. Adjustable mirror 500 x 500mm with cut edges and rounded corners, mounted on steel base plate, adjustable up to 25°, with cored roses 70mm dia. concealed screw fixing.

Supplied with 6mm dia x 70mm stainless Torx screws and plugs for solid masonry.

Product code	7466112
--------------	---------

Product group	7010
---------------	------



NORMBAU GmbH
Schwarzwaldstraße 15
77871 Renchen/Germany
Telefon +49(0)7843 / 704 - 0
Telefax +49(0)7843 / 704 - 43
www.normbau.de · normbau@allegion.com